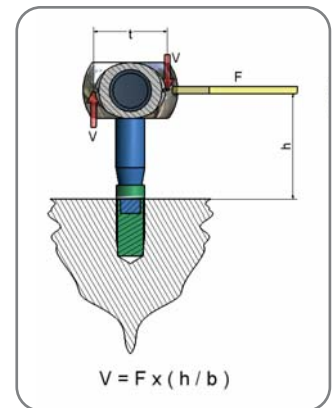
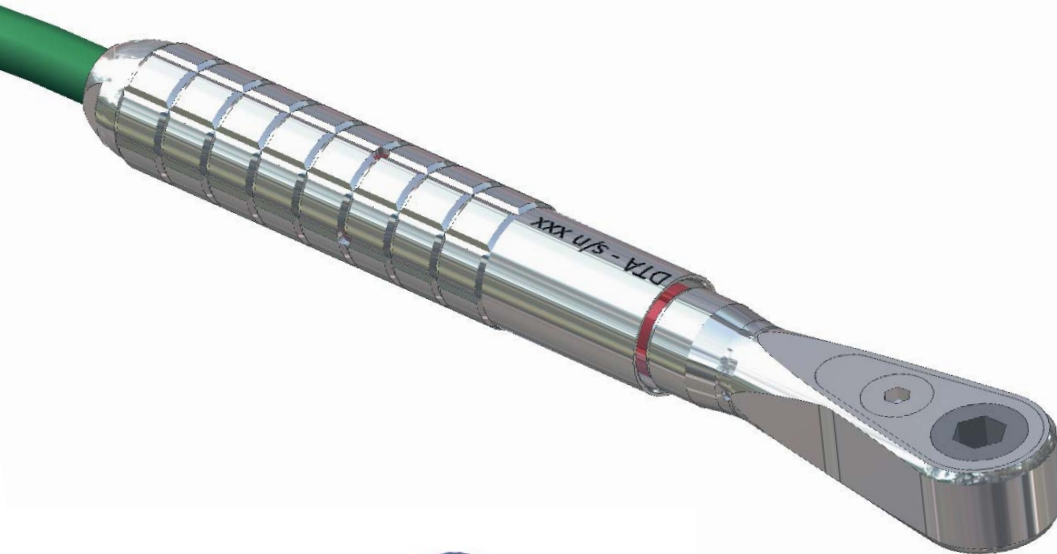
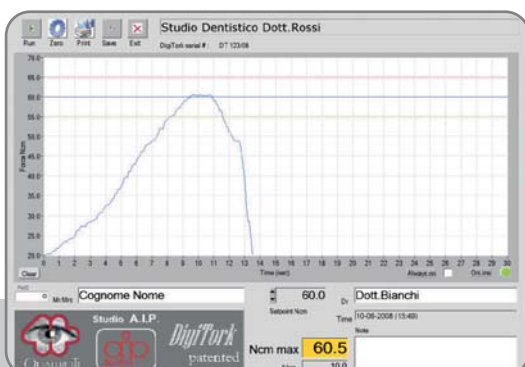


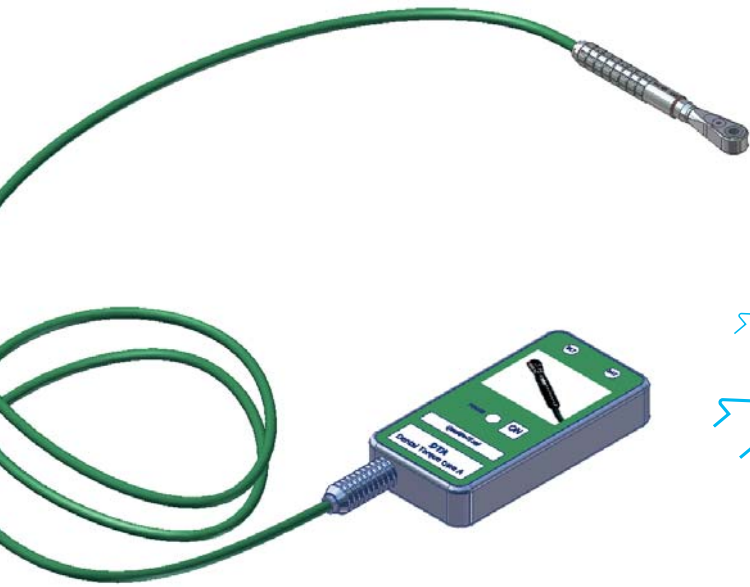
Digital electronic screwing system, with Bluetooth® technology for implant dental use.



- Control of the Torque during the insertion of the implant for immediate loading and tightening of the prosthetic components
- Wrench, cable and connector fully autoclavable
- Compatible with all implant systems
- Adjustable torque from 10 to 150 Ncm
- Automatic self-test calibration
- Maximum precision and reliability (free from mechanical parts subject to wear)
- Management software printing a diagram of the tightening
- Bluetooth® technology for connection to computer/handhelds/notebook
- Alarm sound when the set up Ncm value is applied.



...to be successful in the dental field is easy:
you only need innovative products and 35 years of experience



Thanks to this new technology it will be possible to:

- measure, check, visualize, print and eventually to memorize the tightening values, with maximum and reliable precision
- verify the degree of confidence of eventual other instruments used during the drilling and screwing procedures (micromotor, dynamometric wrenches and so on)
- save and/or print the relevant diagram referred to the torsion moment in order to certify the executed job.

The tightening of the prosthetic implant components in accordance with the parameters given by the manufactures, it's a fundamental aspect if we want to avoid possible unscrewing and breakages, often compromising the result of important rehabilitation jobs with consequent economical damages and discomfort for the patient. In particular, with immediate loading it becomes fundamental to know the exact degree of torque by which the implant has been inserted and the exact Ncm applied to the prosthetic components.

The system comes with:



Digital wrench



Bluetooth® connection



Battery charger transformer



Management software

